

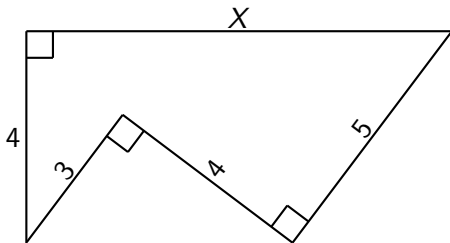
Insight becomes Liability

Robert I. Price

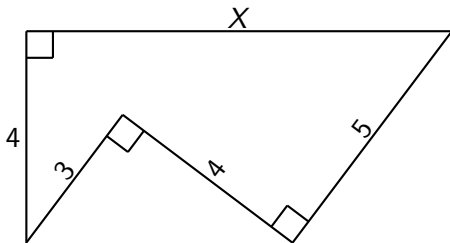
Osher Lifelong Learning Institute

16 December 2019

Find the Length, "X"

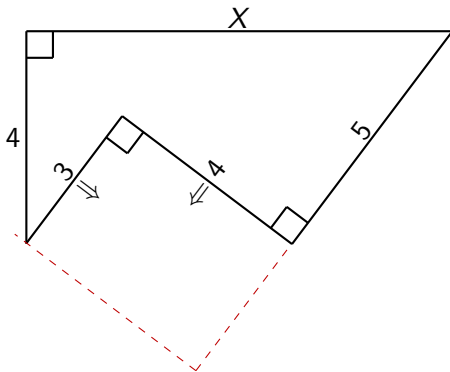


Find the Length, "X"



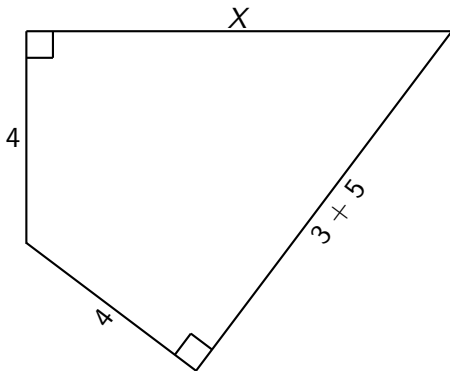
Consider what symmetries exist.

Find the Length, "X"



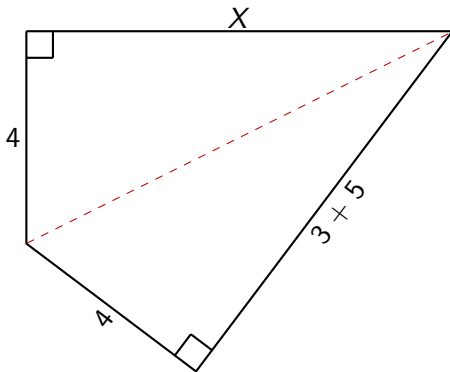
Glide Symmetry allows for the construction of two convenient lines.

Find the Length, "X"



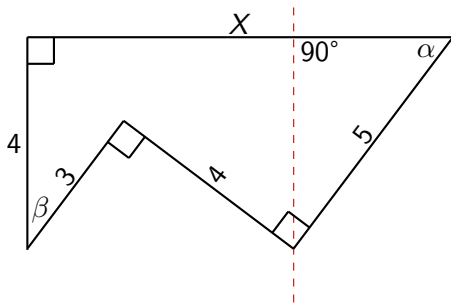
Removing the original segments reveals the obvious symmetry.

Find the Length, "X"

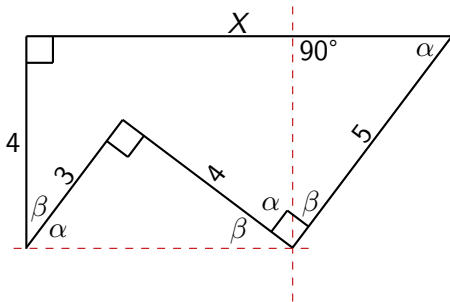


Some would insist upon the central ancillary dashed line.

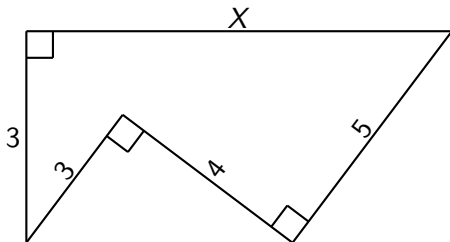
OR : Find the Length, "X"



OR : Find the Length, "X"

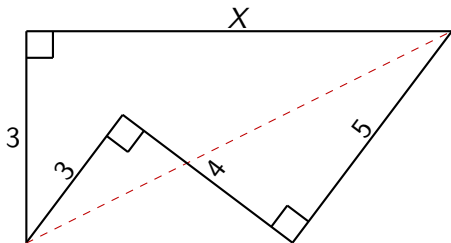


You found the right answer for the wrong reason.



AH HA ! , gotcha (insert preferred invective).

Find the Length, "X"



$$\text{Dashed Line Length} = \sqrt{16 + 64} \approx 8.944 \implies X = \sqrt{80 - 9} \approx 8.426.$$